

# Outdoor Pan/Tilt Security Wi-Fi Camera

1080p  
Full HD

TC40

 Color Night Vision

360° Visual Coverage | Smart Motion Tracking | Free Person Detection



works with alexa

works with Google Home

## // Highlights

### Smart Motion Tracking

Tracks and follows a subject smartly, keeping it within the camera's field of view.



## // Features



### 1080p Full HD Live View

Reveals sharp images and vivid details.



### Patrol Mode

Keep the camera cruise between two customized points for dynamic monitoring.



### Activity Zones

Notifies you when activity is detected in specific zones.



### Local<sup>†</sup> and Cloud<sup>‡</sup> Storage

Save recorded video on a microSD card (up to 512 GB)<sup>†</sup> without monthly fees, or by using Tapo Care<sup>‡</sup> cloud storage services.



### Multiple Installation Options

Use the mounting screws, template and loops\* to install on any wall, ceiling or pole for the perfect view.



### Person Detection

Notifies you when a person is detected.



### Color Night Vision

Enhances your security by revealing vivid colors with built-in spotlights.



### Customizable Sound Alarm

Record your own audio as an alarm to extend your usage.



### IP65 Weatherproof

Offers excellent waterproof and dustproof performance for outdoor scenarios.

<sup>†</sup>microSD card purchased separately. Actual storage capacity depends on the size of the microSD card used.

<sup>‡</sup>Subscribe for cloud storage at <https://www.tapo.com/tapocare/>

<sup>‡</sup>Compatible with Alexa and Google Assistant supported displays. User experience is dependent on the connected device's specifications.

\*Mounting loops purchased separately.

For more information, please visit <https://www.tapo.com/>

All brands and product names are trademarks or registered trademarks of their respective holders. Specifications are subject to change without notice.

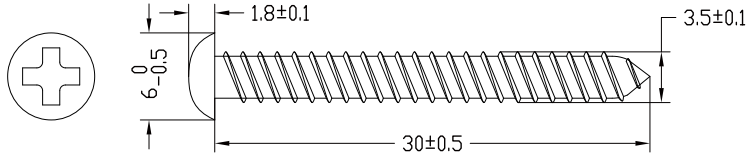
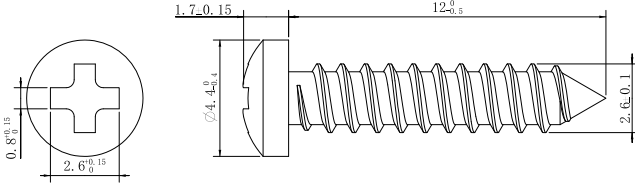
©2024 TP-Link

## // Specifications

<b>Camera</b>	Image Sensor	1/3" Progressive Scan CMOS Sensor
	Lens	Focal Length: 3.99 mm±5% Aperture: F2.2±10% Field of View: 85.5° (Diagonal), 73.5° (Horizontal), 41° (Vertical)
	Night Vision	850 nm IR LED (98 ft / 29.9 m) Color Night Vision
	Day/Night Switch	IR-Cut Filter with Auto-Switching
	Lighting	/
	Interface & Button	1× RESET Button 1× microSD Card Slot (Up to 512 GB)
	Hub Compatibility	/
<b>Video &amp; Audio</b>	Maximum Resolution	1920 x 1080 px
	Frame Rate	30 fps
	Digital Zoom	None
	Video Compression	H.264
	Live View	Yes

<b>Video &amp; Audio</b>	Image Enhancement	3DNR WDR
	Audio Input & Output	Built-in Microphone and Speaker
	Audio Communication	Two-Way Audio with Noise Cancellation
	Siren Volume	90 dB (Level measured at 4-inch/10-cm distance)
<b>Storage</b>	Local Storage	microSD Card Slot on Camera (Up to 512 GB)
	Cloud Storage	Tapo Care Cloud Storage Services (Subscription required)
<b>Detection &amp; Notification</b>	Sensor	/
	AI Detection	Motion Detection Person Detection Camera Tampering
	Activity Zones	Yes *Only works with Motion Detection.
	Output Notification	System Notification System Notification with Snapshot (Tapo Care Services)
<b>Network</b>	Network Connectivity	Connect via Wi-Fi
	Wireless Connectivity	IEEE 802.11b/g/n, 2.4 GHz Wi-Fi
	Transmission Rate	11b: 11 Mbps 11g: 54 Mbps 11n: 72.2 Mbps
	Protocol	TCP/IP, DHCP, ICMP, DNS, NTP, HTTPS, TCP, UDP

<b>Network</b>	Max. Distance Between Hub and Camera/Doorbell	/
	Ethernet Port	/
	RTSP	Yes
	ONVIF	Yes
<b>Security</b>	Security	On-Device Machine Learning 128-bit AES Encryption with SSL/TLS WPA/WPA2-PSK/WPA3
<b>Power</b>	Power Source	9 V DC Power Adapter
	Input Voltage	100-240 V, 50/60 Hz
	Output Voltage	9 V, 0.85 A (DC Power)
	DC Power Connector Size	Inside Ø: 2.1 mm Outside Ø: 5.5 mm
	Power Cord Length	3 m* *Power cord length may vary from region.
	Typical Power Consumption	2.3 W
	Maximum Power Consumption	7.2 W
<b>General</b>	Certifications	CE, RoHS, RCM, WWA, NTRA
	Smart Integration	Google Assistant, Amazon Alexa
	Weather Resistance	IP65

<b>General</b>	Mounting Options	Ceiling-Mounted Wall-Mounted Pole-Mounted (Pole-Mounting loops required but not included)
	Operating Temperature	-30 °C ~ 60 °C (-22 °F ~ 140 °F)
	Storage Temperature	-40 °C ~ 60 °C (-40 °F ~ 140 °F)
	Operating Humidity	10% ~ 90% RH, Non-condensing
	Storage Humidity	0 ~ 90% RH, Non-condensing
	Charging Temperature	\
	Mounting Screw Size	
	Bracket Screw Size	
	Dimensions	4.9 × 4.8 × 3.5 in (123.8 × 123 × 90 mm)
Weight	12.8 oz / 364 g	

<b>General</b>	Package Contents	TC40 Camera Power Adapter Mounting Anchors Mounting Screws Bracket Screws Mounting Template Mounting Bracket Waterproof Seal Quick Start Guide
----------------	------------------	--